

# Type **TN5 CNG**

## Receptacle

for refuelling of buses and trucks with CNG



**General**

**DESCRIPTION**



**Features**

- Compatible with fuelling nozzles acc. to ISO 14469-2
- Low-noise refuelling
- Integrated high-flow check valve
- Sealing-friendly design
- Option: integrated particle filter (50 micron)
- Coding for pressure range / gas type

The WEH® TN5 CNG receptacle is designed specifically for bus and truck refuelling. Due to the internal aerodynamic design the TN5 CNG receptacle gives low noise (no high frequency whistle) combined with maximum flow rate and fast filling. The receptacle is a very durable unit, minimizing maintenance and down-time. The type TN5 CNG also has an integrated check valve system which is designed to minimize the effect that dirt particles have on the sealing components within the receptacle. The TN5 CNG receptacle is equipped with a coding for pressure range and gas type.

The WEH® TN5 CNG receptacle works best with WEH® Fuelling nozzles. We recommend the fuelling nozzles type TK26 CNG, TK22 CNG and TK24 CNG.

**Application**

Receptacle for refuelling of buses and trucks with CNG to be used with WEH® Fuelling nozzles acc. to ISO 14469-2. Only use filters with ECE approval for fitment in vehicles!

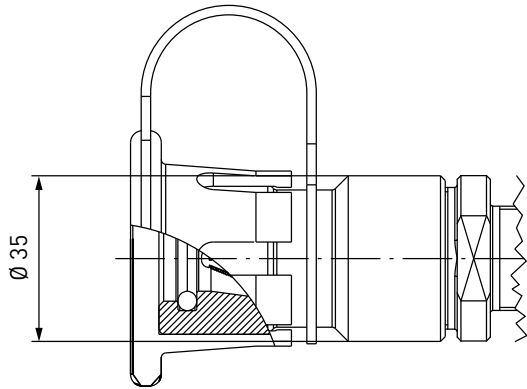
**TECHNICAL DATA**

Characteristic	Basic version	Options
Nominal bore DN	Depending on design	On request
Pressure range	PN = 200 bar (3,000 psi)   PS = 260 bar   PT = 390 bar (ECE) PN = 250 bar (3,600 psi)   PS = 260 bar   PT = 390 bar (ECE) PN = 250 bar (3,600 psi)   PS = 315 bar   PT = 475 bar (CE)	
Temperature range	-40 °C up to +120 °C (-40 °F up to +248 °F)	On request
Material	Corrosion resistant	On request
Sealing material	Natural gas compatible	On request
Design	With protection cap (except for receptacles with ACME thread) and fittings (only for receptacles with tube fitting)	Without protection cap Integrated particle filter (40 micron)
Registration	E1 110R-000007 (ECE) PED97/23/EC: CE0036 (CE)	

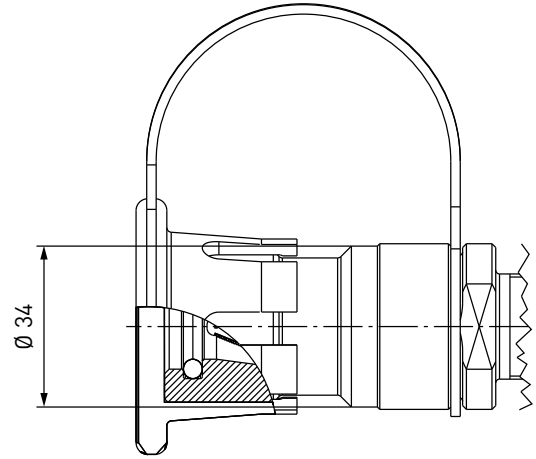
**Ordering**

**PRESSURE RANGES 200 BAR (3,000 PSI) | 250 BAR (3,600 PSI)**

Pressure range 200 bar (3,000 psi)

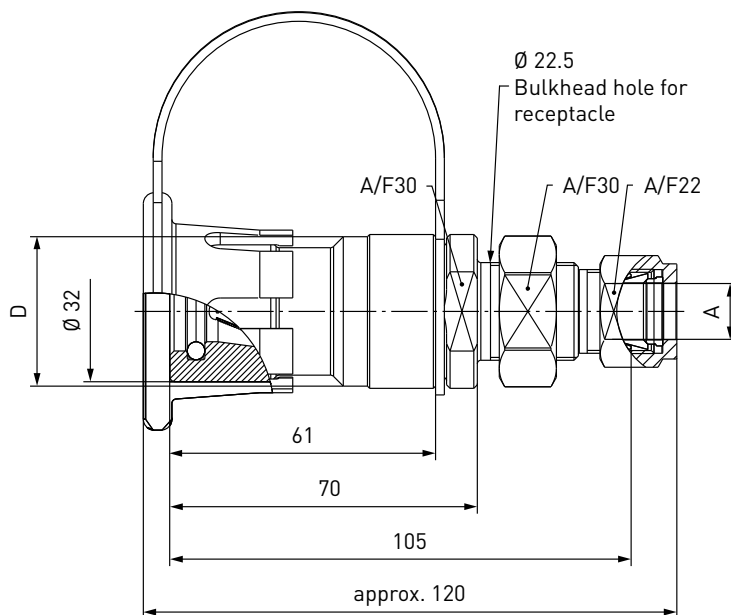


Pressure range 250 bar (3,600 psi)



**ORDERING** | Receptacle TN5 CNG with tube fitting and filter (50 micron)

approx. dimensions (mm)



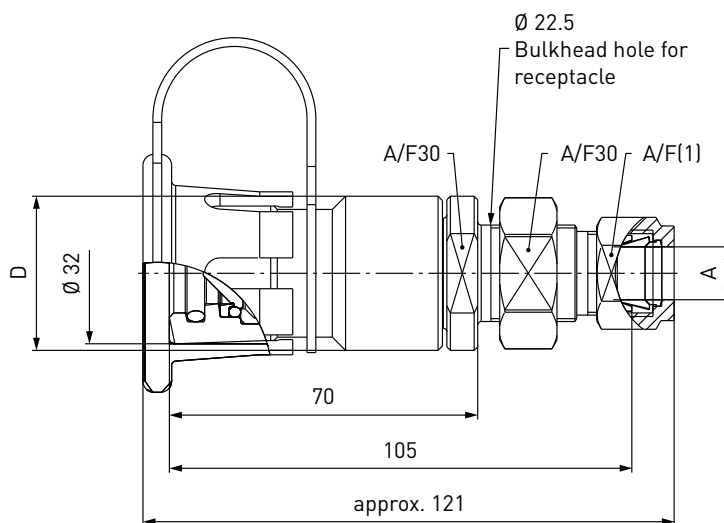
Part No.	Description	DN	Pressure (PN)	Connection A	D
<b>C1-101906</b>	TN5 CNG (ECE)	8	200 bar / 3,000 psi	Tube Ø 10*	Ø 35
<b>C1-106903</b>	TN5 CNG (ECE)	10	200 bar / 3,000 psi	Tube Ø 12*	Ø 35
<b>C1-106906</b>	TN5 CNG (ECE)	10	250 bar / 3,600 psi	Tube Ø 12*	Ø 34
<b>C1-81605</b>	TN5 CNG (ECE)	10	200 bar / 3,000 psi	Tube Ø 1/2"*	Ø 35
<b>C1-81615</b>	TN5 CNG (ECE)	10	250 bar / 3,600 psi	Tube Ø 1/2"*	Ø 34
<b>C1-108583</b>	TN5 CNG (ECE)	12	200 bar / 3,000 psi	Tube Ø 16*	Ø 35
<b>C1-108584</b>	TN5 CNG (ECE)	12	250 bar / 3,600 psi	Tube Ø 16*	Ø 34

\* double ferrule fitting

**Ordering**

**ORDERING** | Receptacle TN5 CNG with tube fitting (without filter)

approx. dimensions (mm)

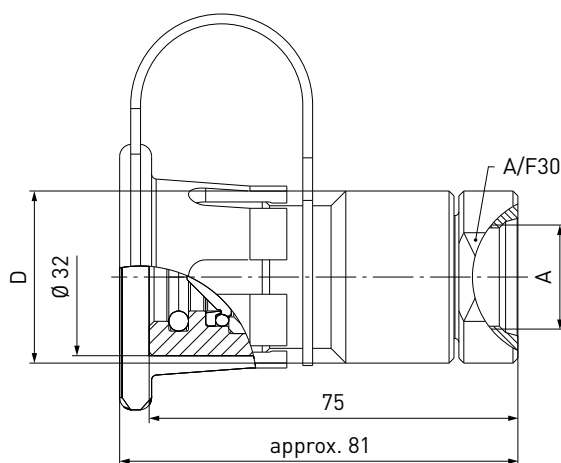


Part No.	Description	DN	Pressure (PN)	Connection A	D	A/F(1)
<b>C1-49817</b>	TN5 CNG (ECE)	10	200 bar / 3,000 psi	Tube Ø 12*	Ø 35	22
<b>C1-105717</b>	TN5 CNG (CE)	10	250 bar / 3,600 psi	Tube Ø 12*	Ø 34	22
<b>C1-108330</b>	TN5 CNG (ECE)	10	200 bar / 3,000 psi	Tube Ø 1/2"*	Ø 35	22
<b>C1-81623</b>	TN5 CNG (ECE)	10	250 bar / 3,600 psi	Tube Ø 1/2"*	Ø 34	22
<b>C1-35401</b>	TN5 CNG (ECE)	12	200 bar / 3,000 psi	Tube Ø 16*	Ø 35	25
<b>C1-33744</b>	TN5 CNG (ECE)	12	250 bar / 3,600 psi	Tube Ø 16*	Ø 34	25

\* double ferrule fitting

**ORDERING** | Receptacle TN5 CNG with internal thread (without filter)

approx. dimensions (mm)



Part No.	Description	DN*	Pressure (PN)	Connection A (internal thread)	D
<b>C1-35432</b>	TN5 CNG (ECE)	12	200 bar / 3,000 psi	UNF 7/8"-14**	Ø 35
<b>C1-42194</b>	TN5 CNG (ECE)	12	250 bar / 3,600 psi	UNF 7/8"-14**	Ø 34

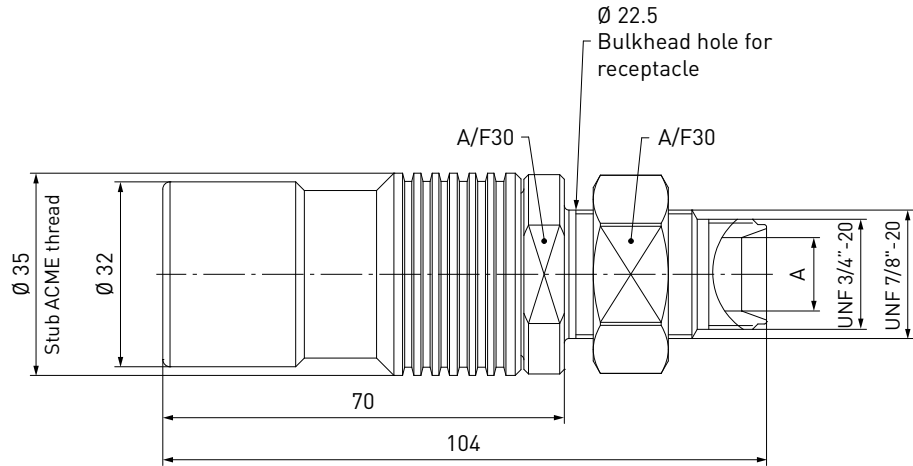
\* depending on inner diameter of tube

\*\* acc. to SAE J1926

**Ordering**

**ORDERING** | Receptacle TN5 CNG with tube fitting and ACME thread and filter (50 micron)

approx. dimensions (mm)

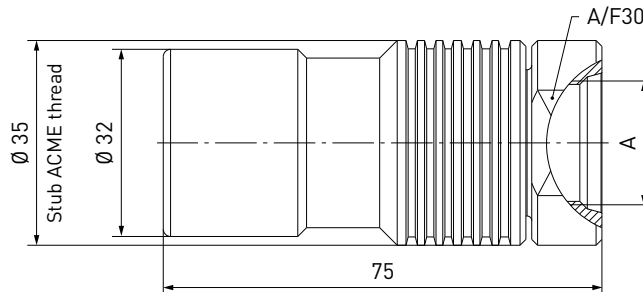


Part No.	Description	DN	Pressure (PN)	Connection A
<b>C1-106904</b>	TN5 CNG (ECE)	10	200 bar / 3,000 psi	Tube Ø 1/2"*

\* double ferrule fitting

**ORDERING** | Receptacle TN5 CNG with internal thread and ACME thread (without filter)

approx. dimensions (mm)



Part No.	Description	DN*	Pressure (PN)	Connection A (internal thread)
<b>C1-84168</b>	TN5 CNG (ECE)	14	200 bar / 3,000 psi	UNF 7/8"-14**

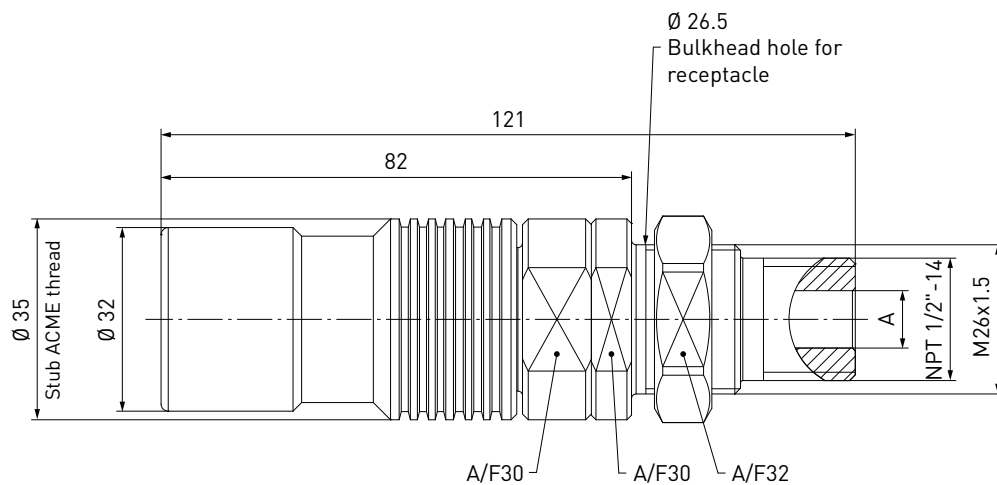
\* depending on inner diameter of tube

\*\* acc. to SAE J1926

**Ordering**

**ORDERING** | Receptacle TN5 CNG with external NPT thread and ACME thread (without filter)

approx. dimensions (mm)

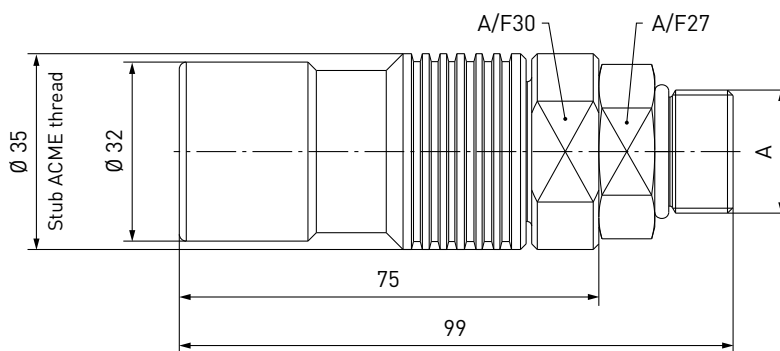


Part No.	Description	DN	Pressure (PN)	Connection A (external thread)
<b>C1-101485</b>	TN5 CNG (ECE)	10	200 bar / 3,000 psi	NPT 1/2"

\* acc. to SAE J1926

**ORDERING** | Receptacle TN5 CNG with external UNF thread and ACME thread (without filter)

approx. dimensions (mm)



Part No.	Description	DN	Pressure (PN)	Connection A (external thread)
<b>C1-84870</b>	TN5 CNG (ECE)	10	200 bar / 3,000 psi	UNF 7/8"-14*

\* acc. to SAE J1926

Other connection sizes on request.

## Ordering

### SPARE PARTS

Various parts are available as spares for type TN5 CNG:

#### Protection cap

Protection cap with a strap to protect the type TN5 CNG receptacle from dirt ingress.



Part No.	Description
E80-42725	Protection cap

## Weitere Produkte

### OTHER PRODUCTS

You will find more products in our current catalogue no. 15



Further information on our homepage  
[www.weh.com](http://www.weh.com)

#### » Contacting

For queries and further information, please do not hesitate to contact us.

*Manufacturer:*

**WEH GmbH Gas Technology**

Josef-Henle-Str. 1  
89257 Illertissen / Germany

Phone: +49 7303 95190-0

Fax: +49 7303 95190-9999

eMail: [ngvsales@weh.com](mailto:ngvsales@weh.com)

[www.weh.com](http://www.weh.com)