

Type **TK22N / TK4-TN5**

Adaptor Nozzle

for CNG fast filling of buses/trucks at car fuelling stations (NGV1) and cars (NGV1) at bus/truck fuelling stations



General

DESCRIPTION



Features

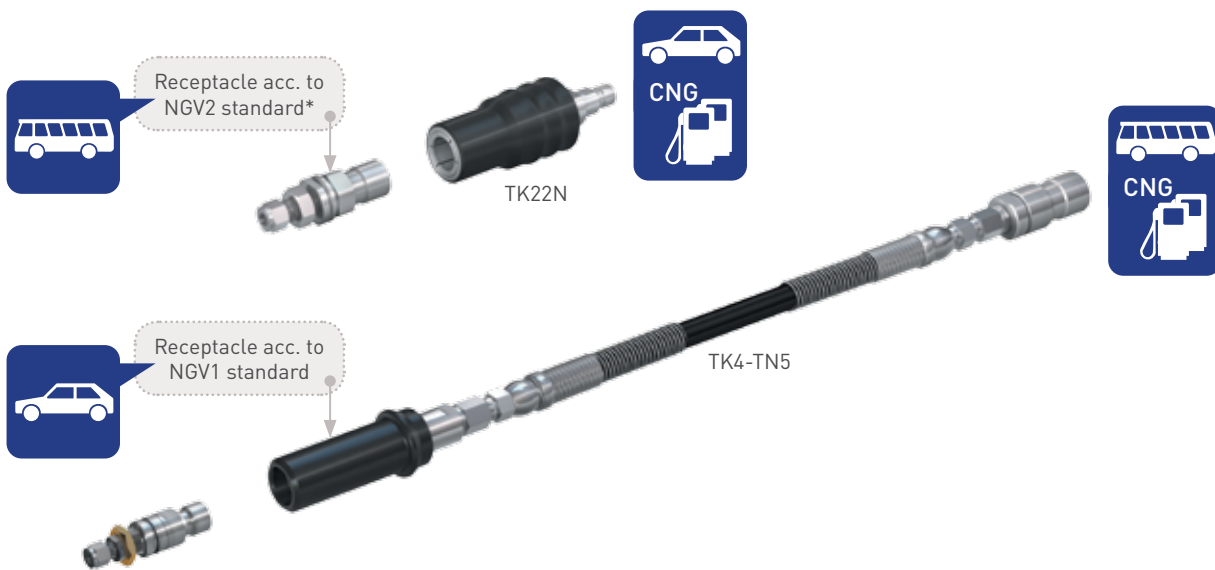
- Push-Pull actuation
- Plastic thermal protection
- WEH® Jaw locking mechanism
- Integrated shut-off valve
- High-grade materials

WEH has developed special adaptor nozzles for refuelling of buses and trucks at car fuelling stations and cars at bus fuelling stations.

Application

Adaptor nozzle for CNG fast filling of buses and trucks at car fuelling stations with NGV1 standard and fast filling of cars having a NGV1 receptacle profile at bus and truck fuelling stations.

Operation only by specially trained service personnel. Not for self-service operation!



| Description | Vehicle | Fuelling station |
|------------------------|---------|------------------|
| Adaptor nozzle TK22N | NGV2* | NGV1 |
| Adaptor nozzle TK4-TN5 | NGV1 | NGV2* |

* non standardized denomination for ISO 14469-2

TECHNICAL DATA

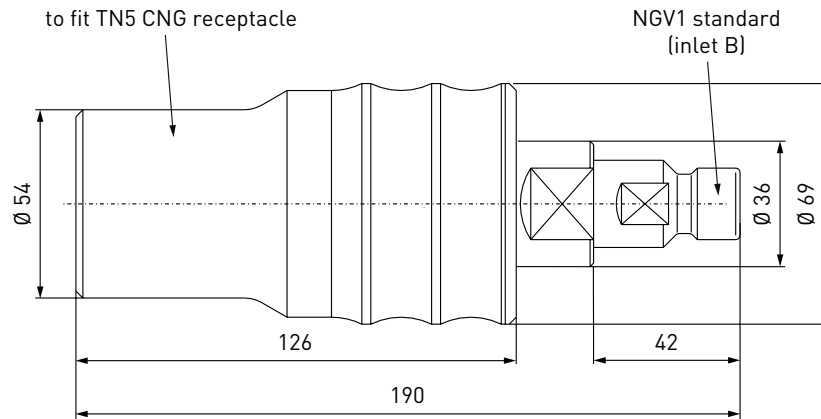
| Characteristic | Basic version | Options |
|-------------------|--|------------|
| Pressure range | PN = 200 bar (3,000 psi) PS = 300 bar PT = 450 bar (P30) | |
| Temperature range | -40 °C up to +120 °C (-40 °F up to +185 °F) | On request |
| Material | Corrosion resistant | On request |
| Sealing material | Natural gas compatible | On request |
| Registration | PED97/23/EC: CE0036 | |

Ordering

ORDERING | Adaptor nozzle TK22N

Adaptor nozzle for refuelling buses and trucks having a NGV2* receptacle profile (e.g. TN5 CNG) at car fuelling stations with a fuelling nozzle acc. to NGV1 standard. **Not for self-service operation!**

approx. dimensions (mm)



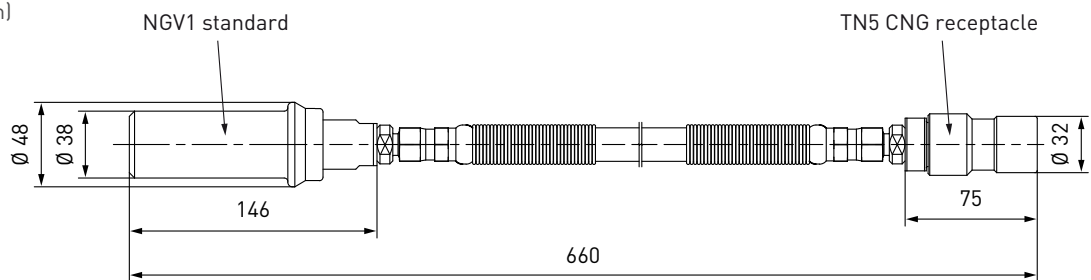
| Part No. | Description | Pressure (PN) | Inlet B |
|-----------------|----------------------|---------------------|---------|
| C1-31219 | Adaptor nozzle TK22N | 200 bar / 3,000 psi | NGV1 |

* non standardized denomination for ISO 14469-2

ORDERING | Adaptor nozzle TK4-TN5

Adaptor nozzle for refuelling cars having a NGV1 receptacle profile at bus or truck fuelling stations with a fuelling nozzle acc. to NGV2 Standard*. **Not for self-service operation!**

approx. dimensions (mm)



| Part No. | Description | Pressure (PN) | Inlet B |
|-----------------|------------------------|---------------------|---------|
| C1-30193 | Adaptor nozzle TK4-TN5 | 200 bar / 3,000 psi | NGV2* |

* non standardized denomination for ISO 14469-2

Other products

OTHER PRODUCTS

You will find more products in our current catalogue no. 15



Further information on our homepage
www.weh.com

» Contacting

For queries and further information, please do not hesitate to contact us.

Manufacturer:

WEH GmbH Gas Technology

Josef-Henle-Str. 1
89257 Illertissen / Germany

Phone: +49 7303 95190-0

Fax: +49 7303 95190-9999

eMail: ngvsales@weh.com

www.weh.com