



Rebuild Service and In-The-Field Repair Kits Available

Materials

- Body:** Brass
- Jaws:** Stainless steel
- Seals:** Specialty polymers and elastomers for NGV applications

CT1000P365
Coupling End



CT1000P365
Hose Connection End

Features

- ◆ **High-Flow/Fast-Fill Capability** - provides quick fueling of medium storage vehicles. Internal seals are designed for fast-fill NGV fueling.
- ◆ **User-Friendly Single-Action Operation** - engage nozzle and receptacle with a 180° rotation of the handle. This secures nozzle jaws onto receptacle, activating a system of three internal valves that regulate fueling. The nozzle will not dispense gas until securely engaged onto an appropriate receptacle. When fueling is complete, rotate the handle to the disconnect position to automatically stop the flow of gas into the vehicle, vent the trapped gas and release the nozzle from the receptacle. The 1000 Series nozzles connect directly to the hose, with no need for a three-way valve. Designed for public or private self-service applications, no attendant is needed.
- ◆ **Directed Vent (CT1000)** - captures the gas vented at disconnect and directs it out of the nozzle via a 1/4" stainless steel vent tube (requires -4 compression adaptor), which can be piped to a remote venting location or back to the upstream side of the compressor. Capturing vent gas is environmentally desirable by agencies such as the EPA and provides an added measure of safety by minimizing the amount of gas present at the filling site. It also reduces vent noise and eliminates escaped gas smell.
- ◆ **Jaw-Lock Technology** - designed specifically for the frequent coupling and uncoupling of the high-pressure gas connections of NGV fueling. Forces at the contact point are distributed over the entire surface area of the receptacle.
- ◆ **Ergonomic Design** - one simple and convenient motion ensures connection and dispensing by all users. Insulated jacket protects operator's hand.
- ◆ **Durable Construction** - heavy-duty brass and stainless steel construction provides corrosion resistance in the harsh refueling environment.
- ◆ **Meets NGV1 Fueling Standard** - can be used to fuel any vehicle with an NGV1 profile receptacle. (See Compatibility Matrix)
- ◆ **Tamper Resistant** - specially designed cam system actuates the front and rear module. Tampering with the valve results in immediate dispensing shut-off.
- ◆ **Individually Leak Tested and Inspected with Traceable Serial Number**

Specifications:

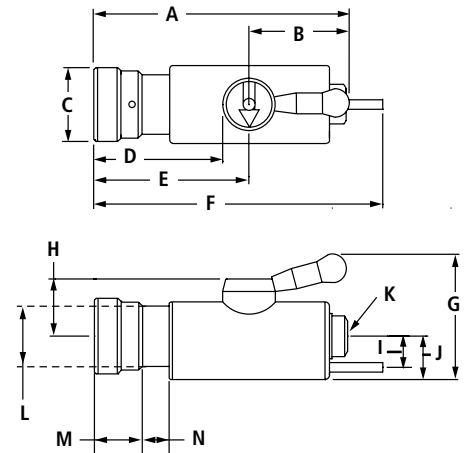
Min. Flow Rate: 1200 SCFM @ 3000 psid
 Temperature Range: -40° F to 185° F
 (-40° C to 85° C)
 Cv: 0.84
 MAWP: 4532 psi (312.5 Bar)

Ordering Specifications

Product #	Inlet Thread Size	Service Pressure		Weight	
CT1000SS	SAE - 6, 9/16" - 18 UNF	3000 psi	200 bar	3.61 lbs.	1.63 kg
*CT1000LS	SAE - 6, 9/16" - 18 UNF	3000 psi	200 bar	3.66 lbs.	1.66 kg
Same as CT1000SS. Adds a Guide Ring					
CT1000P365	SAE - 6, 9/16" - 18 UNF	3600 psi	250 bar	3.65 lbs.	1.65 kg

CT1000 Series Self-Service Nozzles (NGV1 Type 1)

OPW 1000 Series Self-Service Nozzles are designed for high-flow public and private CNG fueling systems. Applications include quick-fill, self-service fueling of automobiles, light trucks, shuttle buses and vans.



Dimensions

	CT1000SS		CT1000P365 / CT1000LS	
	in	mm	in	mm
A	6.69	167.8	7.32	185.8
B	2.63	65.4	2.63	66.4
C	1.94	48.9	1.94	48.9
D	3.37	85.1	4.0	102.1
E	4.06	102.4	4.69	119.4
F	7.5	191.0	8.19	208.0
G	3.25	83.1	3.25	83.1
H	1.5	37.9	1.5	37.9
I	0.81	20.7	0.81	20.7
J	1.13	28.8	1.13	28.8
K	Straight Thread O-Ring Boss Port SAE-6 J1926 (9/16" - 18 UNF-2B)			
L	1.58	40	1.58	40
M	1.24	31.4	2.01	51.2
N	0.75	19	0.72	18.4

Listings and Certifications



CRN

See page 43 for Canadian Registration Number



CleanEnergy Nozzle Compatibility Matrix

	CNG Nozzles	CNG Breakaways		NEW CNG Breakaways & CNGBREAKKITS			Standard NGV1 CNG Receptacles NOTE: These use Receptacle Fit Gage RINGO-0001						High Flow CNG Receptacles NOTE: These use Receptacle Fit Gage RINGO-0005						Nozzle Gages				
		ILB-1	ILB-5	FLB 1000 & CNG BREAK KIT-1000	FLB 5000 & CNG BREAK KIT-5000	NGVLB	LB30	LD30	LE30	LB36	LD36	LE36	CL40	CL4078	CL50	CL5000	CL5016	CL5078	JAWGO -1	JAWGO -5			
NGV1	Type 1	CT1000SS (3,000 psi/200 bar)	✓	X	✓	X	✓	✓	✓	✓	✓	✓	✓	✓	✓	✓	✓	✓	✓	✓	✓	X	
		CT1000P36S (3,600 psi/250 bar)	✓	X	✓	X	✓	X	X	X	✓	✓	✓	X	X	X	X	X	X	X	✓	X	X
	Type 2 & 3	CC300P30S (3,000 psi/200 bar)	✓	X	✓	X	✓	✓	✓	✓	✓	✓	X	X	X	X	X	X	X	✓	X	X	X
		CC300P36S (3,600 psi/250 bar)	✓	X	✓	X	✓	X	X	X	✓	✓	X	X	X	X	X	X	X	✓	X	X	X
		CC600S (3,000 psi/200 bar)	✓	X	✓	X	✓	✓	✓	✓	✓	✓	X	X	X	X	X	X	X	✓	X	X	X
		CC600P36S (3,600 psi/250 bar)	✓	X	✓	X	✓	X	X	X	✓	✓	X	X	X	X	X	X	X	✓	X	X	X
		CC600 Series Nozzle including 3-Way Valve (3WV series) (3,600 psi/250 bar & 3,000 psi/200 bar)	✓	X	✓	X	✓	✓	✓	✓	✓	✓	X	X	X	X	X	X	X	✓	X	X	X
	Type 3	CC250 (3,000 psi/200 bar)	✓	X	✓	X	✓	✓	✓	✓	✓	✓	X	X	X	X	X	X	X	X	X	X	X
		CC270 (3,000 psi/200 bar)	✓	X	✓	X	✓	✓	✓	✓	✓	✓	X	X	X	X	X	X	X	X	X	X	X
Bus / High Flow	Type 1	CT5000S (3,600 psi/250 bar)	X	✓	X	✓	✓	X	X	X	X	✓	✓	✓	✓	✓	✓	✓	X	✓	X	✓	
	Type 2	CC6000 (3,600 psi/250 bar)	X	✓	X	✓	✓	X	X	X	X	✓	✓	✓	✓	✓	✓	✓	X	✓	X	✓	
CNG Defueling	BDN (3,600 psi/250 bar)	✓	X	✓	X	✓	✓	✓	✓	✓	✓	X	X	X	X	X	X	✓	✓	X	X	X	

CleanEnergy Hose Kit Compatibility Matrix

Fully Factory Assembled and Tested



			Hose Kit Component	Time Fill			Light Duty (LD)					Heavy Duty (HD)		Extra Heavy Duty (XHD)	Defueling	
				2' Whip Hose / 14' Main Hose	2' Whip Hose / 18' Main Hose	8' Whip Hose / 12' Main Hose	2' Whip Hose / 8.3' Main Hose	2' Whip Hose / 8.3' Main Hose	2' Whip Hose / 10' Main Hose	2' Whip Hose / 13' Main Hose	2' Whip Hose / 13' Main Hose	2' Whip Hose / 8.3' Main Hose	2' Whip Hose / 8.3' Main Hose	2' Whip Hose / 8.3' Main Hose	10' Whip Hose / 2' Main Hose	25' Whip Hose / 25' Main Hose
				TFCNG KIT-14C36	TFCNG KIT-20B36	TFCNG KIT-20D36	LDCNG KIT-11	LDCNG KIT-11 FLB	LDCNG KIT-12	LDCNG KIT-15A	LDCNG KIT-20B36	HDCNG KIT-11	HDCNG KIT-11FLB	XHDCNG KIT-10	LDCN DPK-12	XFLDCNG KIT-50
Nozzles	NGV1	Type 1	CT1000SS (3,000 psi/ 200 bar)	X	X	X	X	X	X	✓	X	X	X	X	X	X
			CT1000P36S (3,600 psi/ 250 bar)	X	X	X	✓	✓	✓	X	X	X	X	X	X	✓
		Type 2 & 3	CC600 Series Nozzle including 3-Way Valve (3WV series) (3,600 psi/ 250 bar & 3,000 psi/ 200 bar)	✓	✓	✓	X	X	X	X	✓	X	X	X	X	X
	Bus / High Flow	Type 1	CT5000S (3,600 psi/ 250 bar)	X	X	X	X	X	X	X	X	✓	✓	✓	X	X
		Defueling	BDN (3,600 psi/ 250 bar)	X	X	X	X	X	X	X	X	X	X	X	✓	✓ with 3WV-46D
Fill Line Break-aways	Standard Duty		ILB-1	X	X	X	✓	X	X	X	X	X	X	X	X	X
			FLB-1000	X	X	X	X	X	X	X	X	X	X	X	✓	X
			CNGBREAK KIT-1000	✓	✓	✓	X	✓	✓	✓	✓	X	X	X	X	✓
Fill Line Break-aways	Bus / High Flow		ILB-5	X	X	X	X	X	X	X	X	✓	X	X	X	X
			FLB-5000	X	X	X	X	X	X	X	X	X	X	X	X	X
			CNGBREAK KIT-5000	X	X	X	X	X	X	X	X	X	✓	✓	X	X
Vent Line Breakaways			NGVLB	✓	✓	X	✓	X	✓	✓	✓	✓	✓	✓	X	X
Hose Retractor			6102-CNG	X	X	X	✓	✓	✓	✓	✓	X	X	X	X	✓
			6102-CNG2	X	X	X	X	X	X	X	X	✓	✓	✓	✓	X

Installation & Operating Instructions

Installation and operating instructions are included with all new and rebuilt products; however, they may also be ordered separately

Instruction Sheet Item #	Item Description
207943	FLB-1000, FLB-5000 Breakaway Installation & Operating Instructions
207732	NGVLB Breakaway Installation & Operating Instructions
H14914M	ILB-1, ILB-5 Breakaway Installation & Operating Instructions
201494	ILB-1, ILB-5 Breakaway Repair Kit Instructions
H13741M	CT1000, CT5000 Series Nozzle Installation & Operating Instructions
001563	CT1000 and CT5000 Series Nozzle Jaw Replacement Instructions
H13857M	CC200 Series Nozzle Installation & Operating Instructions
H13795M	CC300 Nozzle Installation & Operating Instructions
H13742M	CC600 Series Nozzle Installation & Operating Instructions
001562	CC600 Series Nozzle Jaw Replacement Instructions
H14076M	CC6000 Nozzle Installation & Operating Instructions
H13744M	LB30, LB36, LD, LE, CL40 and CL4078 Receptacles Installation Instructions
H13747M	LB3078, LB3678 & CL5078 Receptacles Installation Instructions
H14441PA	CL50 Series Receptacle Installation Instructions
H13745M	CL5000, CL5016 Receptacle Installation Instructions

Part Kits and Factory Rebuild Service

OPW is pleased to offer nozzle and breakaway rebuild services. Rebuilds include (where applicable) replacement of all internal seals, O-rings, valves, jaws, handle, protective sleeves, spring supports, guide rings and vent tubes. **In addition, all OPW Factory rebuilt products are 100% full-function tested before being redeployed.**

KIT Item #	Description	
207983	FLB-1000 STANDARD DUTY FILL-LINE BREAKAWAY REPAIR KIT	OPW Factory Parts. Labor by Authorized Field Technician
207739	FLB-5000 HEAVY DUTY FILL-LINE BREAKAWAY REPAIR KIT	
A157	ILB-1 INLINE BREAKAWAY CNG & H2 NGV-1 REPAIR KIT	
A155	ILB-5 INLINE BREAKAWAY HD/TRUCK REPAIR KIT	
A156	CT1000SS JAW REPLACEMENT KIT	
A158	CT1000LS JAW REPLACEMENT KIT	
A159	CT1000P36S JAW REPLACEMENT KIT	
A152	CT5000S JAW REPLACEMENT KIT	
A153	CC600 SS JAW REPLACEMENT KIT	

REPAIR Item #	Description	
FLB-1000 REPAIR	FLB-1000 STANDARD DUTY FILL-LINE BREAKAWAY REBUILD	OPW Factory Parts, Labor & Full-Function Testing by OPW Lab Technician
FLB-5000 REPAIR	FLB-5000 HEAVY DUTY FILL-LINE BREAKAWAY REBUILD	
ILB-1 REPAIR	ILB-1 INLINE BREAKAWAY CNG & H2 NGV-1 REBUILD	
ILB-5 REPAIR	ILB-5 INLINE BREAKAWAY HD/TRUCK REBUILD	
CT1000SS REPAIR	CT1000SS NOZZLE TYPE 1 CLASS A (P30) REBUILD	
CT1000LS REPAIR	CT1000LS NOZZLE TYPE 1 CLASS A (P30) REBUILD	
CT1000P36S REPAIR	CT1000P36S NOZZLE TYPE 1 CLASS A (P36) (SST JAWS) REBUILD	
CT5000S REPAIR	CT5000S TYPE 1 HEAVY DUTY BUS/TRUCK NOZZLE REBUILD	
BDN REPAIR	BDN DEFUELING NOZZLE CNG (P30/P36) REBUILD	
CH1000 REPAIR	CH2000 FUEL NOZZLE TYPE 1, CLASS A (P36) REBUILD	
CH2000 REPAIR	CH2000 FUEL NOZZLE TYPE 1, CLASS A (P36) REBUILD	
CW3600 REPAIR	CW3600 SAE HYDROGEN NOZZLE TYPE 1 CLASS A (P36) REBUILD	
CW5000 REPAIR	CW5000 SAE HYDROGEN NOZZLE TYPE 1 CLASS A (P50) REBUILD	

Canadian Registration Numbers by Province

Canadian Registration Numbers OPW CleanEnergy Products	British Columbia	Alberta	Ontario	Quebec	Saskatchewan	Manitoba	Nova Scotia	New Brunswick
CT1000 series	0H13989.51	0H13989.52	0H13989.5	0H13989.56	0H13989.56	0H13989.56	pending	pending
CT5000	0H15417.51	0H15417.52	0H15417.5	0H15417.56	0H15417.56	0H15417.54	0H15417.58ADD1	pending
CC600 series	0H13989.51	0H13989.52	0H13989.5	0H13989.56	0H13989.56	0H13989.56	pending	pending
ILB-1	0H13989.51	0H13989.52	0H13989.5	0H13989.56	0H13989.56	0H13989.56	pending	pending
ILB-5	0H15417.51	0H15417.52	0H15417.5	0H15417.56	0H15417.56	0H15417.56	pending	pending
VLB	0H13989.51	0H13989.52	0H13989.5	0H13989.56	0H13989.56	0H13989.56	pending	pending
FLB-1000 (new)	0H17341.51	0H17341.52	0H17341.5	0H17341.56	0H17341.56	0H17341.56	0H17341.5987	0H17341.5987
FLB-5000 (new)	0H17341.51	0H17341.52	0H17341.5	0H17341.56	0H17341.56	0H17341.56	0H17341.5987	0H17341.5987
NGVLB (new)	0H17341.51	0H17341.52	0H17341.5	0H17341.56	0H17341.56	0H17341.56	0H17341.5987	0H17341.5987

CSA Approved

- ◆ CT1000 series nozzles
- ◆ CC 200 series nozzles
- ◆ CC 300 series nozzles
- ◆ CC 600 series nozzles
- ◆ 3WV series valves
- ◆ Hoses
- ◆ LB, LD, LE series receptacles

TUV Approved

- ◆ CT1000 series nozzles
- ◆ CT5000 series nozzles
- ◆ CC 200 series nozzles
- ◆ CC 300 series nozzles
- ◆ CC 600 series nozzles
- ◆ CC 6000 series nozzles
- ◆ ILB series breakaways
- ◆ FLB series breakaways
- ◆ NGVLB series breakaways
- ◆ LB, LD, LE series receptacles
- ◆ CL series receptacles